



Arc Pulpit

The new arc pulpit is 12% lighter. At 8.5kg for the larger 70cm version, this makes it lighter than most other church pulpits. Many stage managers will be able to carry it with one arm. This has helped to make it Australia's best selling modern church lectern. Other features have helped its popularity. For a start it is so minimal, that the congregation is able to concentrate fully on the speaker. Secondly, its brushed stainless steel and sleek lines make it stylish and modern looking. This has made it the choice for major churches in Australia, as well as churches from 25 to 18,000 people in Singapore, NZ, Canada, Korea, UK and the USA, Brunei, Japan, Germany, Holland, South America and Uganda. It is seen on TV in Australia's Hillsong and other well known churches. For TV or video filming, an anti reflective film can be factory applied to the perspex to eliminate glare. The wide top (70cm/ 28") is the most popular, however either size will fit easily into most cars.

60cm (24") wide	AUD \$ 950
70cm (28") wide	AUD \$1090
Anti reflective film: add	AUD \$ 90
Freight (within Australia)	AUD \$ 30
Freight to NZ	AUD \$ 90
Freight to rest of world	AUD \$ 120

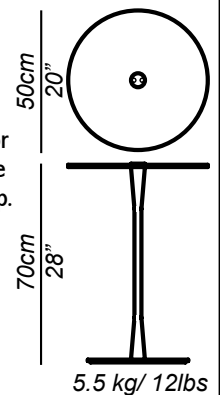
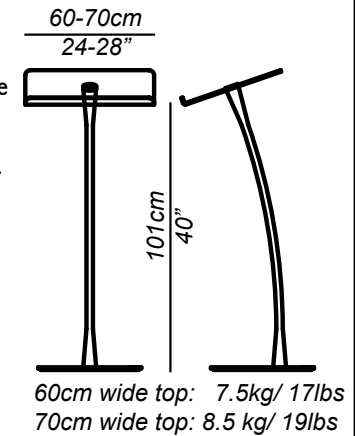
(add 10% GST to Australian orders)

Arc Table

Most churches that purchase the arc lectern also purchase this table. Can be used for a water glass, jug, laptop computer & other resources. 70cm (28") high so items are within easy reach for the preacher. Made from stainless steel with a clear perspex top.

Arc table	AUD \$525
Anti reflective film: add	AUD \$ 90
Freight (within Australia)	AUD \$ 15
Freight to NZ	AUD \$ 45
Freight to rest of world	AUD \$ 60

(add 10% GST to Australian orders)



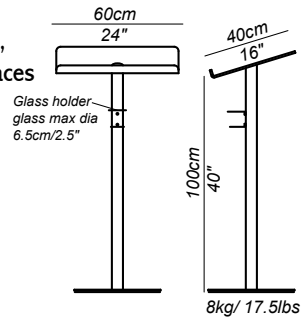


Flagpole Lectern

A pulpit for the budget minded church.

The arc lectern is used in churches of 20,000 with services broadcast on TV, to churches of 10 people meeting in a home. This makes the arc an excellent long term solution.

However, churches on a budget may need something cheaper to start with. In this case, the flagpole lectern is ideal. While not elegant like the arc lectern, it is still very practical. An optional cup holder can be purchased for refreshing the preacher (it can also be detached if it is not required). Made from 304 grade stainless steel, so like the arc lectern, it reflects the surfaces around it, helping it to fit in.



60cm (24") wide	AUD \$ 645
Cup Holder: add	AUD \$ 45
Anti reflective film: add	AUD \$ 90
Freight (within Australia)	AUD \$ 30
Freight to rest of world	AUD \$ 120

(add 10% GST to Australian orders)



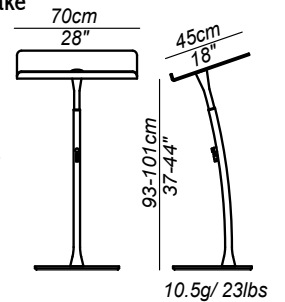
Adjustable Arc Pulpit

The new adjustable arc church pulpit has two benefits over a regular adjustable lectern. Firstly it has a clicking mechanism to prevent slip, secondly it can be carried by one person.

Preachers may have had the experience of placing something heavy on a music stand or adjustable church pulpit, only to have the music stand pole slip down. The adjustable arc has a clicking mechanism with 5 positions to make sure this does not happen. This means that the mechanism will still be reliable after years of use.

In addition, all the parts have been re-engineered to make them as light as possible.

The result is that at 10.3kg/22.7 pounds, it is only 1.8kg/ 4 pounds heavier than the regular arc.



70cm (28") wide	AUD \$ 1490
Anti reflective film: add	AUD \$ 90
Freight (within Australia)	AUD \$ 30
Freight to rest of world	AUD \$ 120

(add 10% GST to Australian orders)